

Top quality temperature measurement solutions for medical, HVAC, military, consumer electronics, and appliance applications. Thermistors, RTDs, glass-encapsulated probes and custom designed solutions. Superior design and service support.

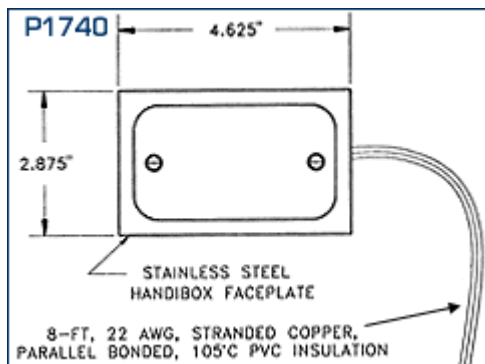
- Interchangeable Series
- Point-Matched Series
- Glass Series
- Insulated Lead Series
- Medical Series
- Mini Series
- Micro Series
- Customer Configured Probe Series
- HVAC Thermistor Series
- HVAC RTD Series



P1740 Room Sensor

FEATURES

- ▮ Stainless steel surface mount plate
- ▮ Mounts to a standard handibox
- ▮ Proprietary thermistor technology
- ▮ Industry standard values
- ▮ Interior use
- ▮ Custom configurations available
 - ▮ Lead length



- About Alpha
- Contact Us
- Products
- Configured Thermistor
- FAQ's
- Application Notes
- Technical Notes
- What's New



P1740 Room Sensor

DESCRIPTION

The Alpha P1740 Room Sensor is a thermistor based temperature sensor designed for room temperature measurement where dampened response and sensor protection are required.

SPECIFICATIONS

Operating Range: 0° to 70°C (32° to 158°F)
Accuracy: ±0.2°C (±0.36°F), 0° to 70°C
Drift: 0.02°C per year from 0° to 50°C (0.036°F per year from 32° to 122°F)

APPLICATION NOTES

0. Mount 5 feet off the floor.
1. Solder or crimp all connections. Do not use wire nuts.
2. Follow local electrical codes.

PART #	DESCRIPTION	R/T CURVE	LEAD COLOR	MATERIAL TYPE
--------	-------------	-----------	------------	---------------

		CODE		
P1741	2,252 Ohm @ 25°C	A	Green Leads	TYPE II
P1742	3,000 Ohm @ 25°C	A	Blue Leads	TYPE II
P1743	10,000 Ohm @ 25°C	A	Yellow Leads	TYPE II
P1744	100,000 Ohm @ 25°C	A	Gray Leads	TYPE II
P1745	10,000 Ohm @ 25°C	C	Gray Leads	TYPE III
P1746	20,000 Ohm @ 25°C	De	Black Leads	TYPE 42 (Honeywell)

* Consult the factory for custom sensors.

PRODUCT SELECTION

[P1700 - Standard Sensor](#)

[P1710 - Standard Sensor, Moisture
Protected](#)

[P1720 - Strap On Sensor](#)

[P1730 - Duct Sensor](#)

[P1740 - Room Sensor, Surface Mount](#)

[P1750 - Outdoor Air Sensor](#)

[P1760 - Averaging Duct Sensor](#)

[P1770 - ImmersionSensor](#)

[Home](#) | [About Alpha](#) | [Contact Us](#) | [What's New](#) | [Products](#)
[Technical Notes](#) | [Configured Thermistor](#) | [FAQ](#) | [Application Notes](#)



© 1998 Alpha Sensors

	www.esis.com.au
	Ph 02 9481 7420 Fax 02 9481 7267 esis.enq@esis.com.au
ESIS Industrial Electronics	